



## RTFM - HIVERADAR JR.

Thank you for purchasing the HiveRadar Wireless Site Survey Kit. We understand most techies (us included) rarely read the setup/instruction manual but we urge you to give it a quick read to familiarize yourself with the awesomeness of the HiveRadar Survey Kit we have created.

While no product is perfect we have identified some of the quirks during our field tests and points that you have to keep in mind. We will continue to improve upon the product and should you happen to find unidentified issues and or have suggestions on how we can improve upon the product to make it more awesome please go to our feature request page at [HiveRadar.com](http://HiveRadar.com).

### Do

Always use the retractable handle as the primary point of leverage to maneuver and hold the carbon fiber pole gently if it is extended.

Keep on level ground when conducting site surveys.

Keep away from traffic on job site to prevent accidental bumps.

### Don't

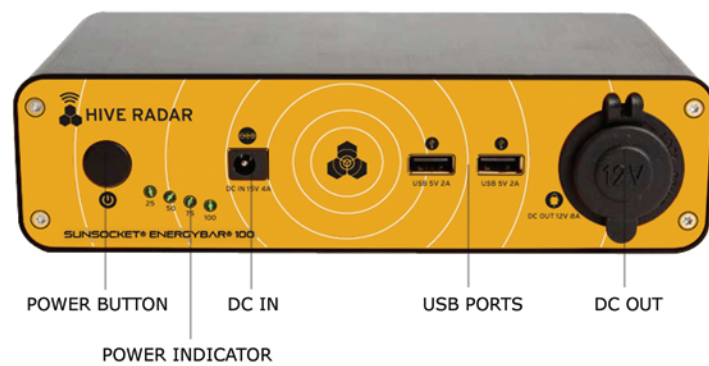
Wheel the kit by just pulling or pushing the Carbon Fiber pole.

Mount AP's that weigh more than 2Lbs.

Use it in outdoor environment in windy conditions

Use outdoors in windy conditions without teather.

## Battery & Charger



Capacity	99.8Wh (+/- 5Wh) - TSA/FAA/IATA Guideline 100Wh
Battery Chemistry	LiFePO4 (Lithium Iron Phosphate) Max 10g ELC*
LED Indicator	Charge state indicator. Each LED bank blinks when charging and solid when charged. Discharge Cycle only the last light blinks when battery is low.
DC Input Port	15V 4A Max
AC-DC Charger	100-240VAC to DC15V 2.0A (Idea Battery Life Cycle)
USB Ports x 2	5V 2A Max Each
DC Output	12V 8A Max Continuous
Weight	3.3Lbs (1.5Kgs)
Operating Temp	0 - 50 Deg C (32 - 120 Deg F)
Environment	Keep away from water, snow, flammable gas & liquids

Your HiveRadar battery has already been pre-charged and tested. RUN TIMES - will vary depending on the power draw from your devices you can expect the following:

DC Power: Upto 21Hrs (Tested w/ Aerohive, Ruckus, Meraki)

PoE+: Upto 9Hrs (Tested with Aerohive AP230, forced power setting of 802.3at)

The HiveRadar battery can be charged and recharged in a number of convenient ways.

AC Adapter (included): 4 Hours

DC Adapter (optional): 2 Hours

Solar Panel (optional): 4-10 Hours

Quirk: When battery is being used and discharged the LED lights may not necessarily follow the predictable discharge rate/drain which can be a bit misleading. There is nothing to worry. The last LED indicator will stay on the longest. When the battery is very low the LED will start FLASHING and automatically shut off when it reaches a critical level. For most this will be a non factor as it last your full day's work.

## LED Flashlight



Type	Hi Power USB Rechargeable Flashlight
Emitter	CREE LED
Brightness	1200 Lumens (Max)
Battery	1 x 18650
Modes	High, Med, Low, Strobe, SoS
Runtime	High - 3Hrs   Med/Strobe - 6Hrs   Low/SoS - 12Hrs
Material	Aluminium Alloy, Mil Spec Hard-Anodized Finish
Lens	Toughened Ultra Clear Mineral Glass   Anti-Reflective
Lanyard	Included
Charging Time	3 - 5 Hrs
Power Bank	USB output (hold button for 1Sec)
Rating	IPX-7 (Water Resistant)

## Laser Distance Measure



Measure distance upto 60m or 196ft. These units can also calculate Area, Volume, etc. Battery, lanyard and a carry case are included. Accuracy of +/- 2mm.

Caution: This device is not a toy. Keep it away from children. Use responsibly and never project the laser at someone or look directly into it.

## Multi-Tool



- HEX WRENCHES: #2, 2.5, 3, 4, 5, 6, 8
- ☾ OPEN WRENCH: 8mm, 10mm
- ⊕ ⊖ SCREWDRIVERS: PHILLIPS #1, PHILLIPS #2, FLAT #2
- ⊗ TORX: t-10, t-25

High tensile steel multi-tools feature a precise fit and finish and side grips for a secure handhold. The multi-tool we provide would be useful for your job use and as avid outdoor enthusiasts we also wanted it to be multi-dimensional. If you are a biking enthusiast then it would also be an indispensable tool for you.

Stainless Steel carry case included.

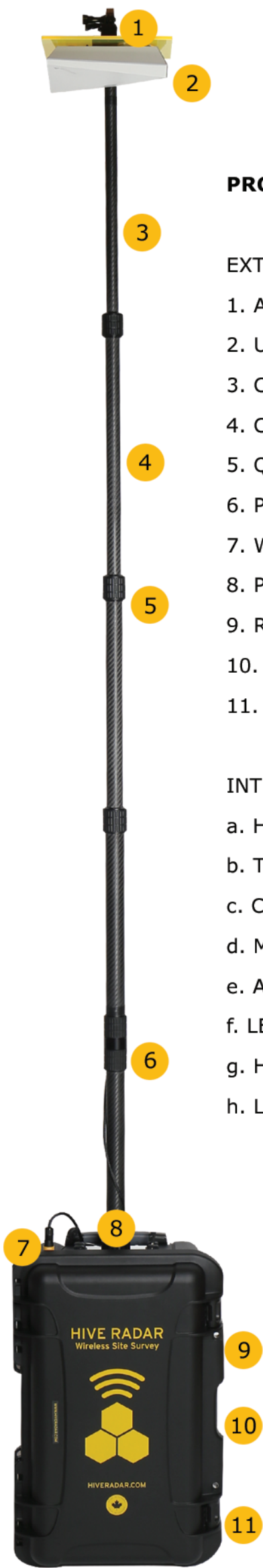
**Limited Warranty:** HiveRadar % Securicore Inc Warrants HiveRadar Rapid Deployment Kit & Wireless Site Survey Kit for 1 year against deficiencies in material and workmanship. This LIMITED WARRANTY does not cover products that are improperly used, abused, altered or repaired. Deficient products that are covered by this policy will be replaced or repaired. You would be responsible for all shipping costs.

Repaired or replacement products will be returned to you with shipping charges prepaid. Warranty replacement products may be refurbished or contain refurbished materials. The maximum liability of HiveRadar % Securicore Inc under this warranty is limited to the purchase price of the product covered by the warranty.

Except as specifically provided in this agreement or as required by law, the warranties and remedies stated above are exclusive and in lieu of all others, oral or written, express or implied. Any and all other warranties, including implied warranties of merchantability, fitness for a particular purpose and noninfringement of third party rights are expressly excluded. HiveRadar % Securicore Inc shall not under any circumstances be liable to any person for any special, incidental, indirect or consequential damages, including without limitation, damages resulting from use or malfunction of the products, loss of profits or revenues or costs of replacement goods, even if HiveRadar % Securicore Inc is informed in advance of the possibility of such damages.

If you believe that your purchased RDK or WSSK meets the criteria for warranty replacement, please contact support for a RMA number.





## PRODUCT OVERVIEW

### EXTERIOR

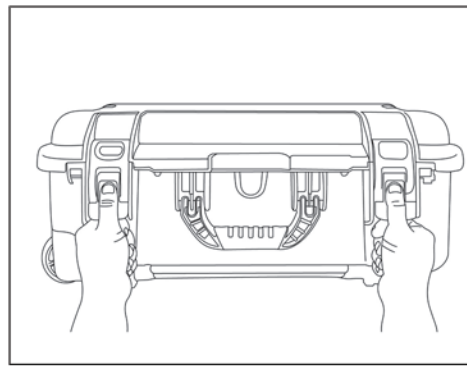
1. Articulating Arm
2. Universal Access Point Mount
3. Carbon Fiber Pole
4. Cable Organizer Velcro
5. Quick Lock Mechanism
6. Pole Extension Locking
7. Waterproof Cable Connectors
8. Pole-to-Case Twist Lock
9. Reinforced Padlock Holes
10. Pressure Equalization Vent
11. Shoulder Strap Attachment

### INTERIOR

- a. HiveRadar Jr Case
- b. Two Pc Carbon Fiber Pole Set
- c. Custom DC Cable
- d. Multi-tool with Case
- e. Articulating Arm & 360 Swivel Mount
- f. LED Flashlight & Micro USB Cable
- g. HiveRadar EB100 Battery & Charger
- h. Laser Distance Measure & Battery

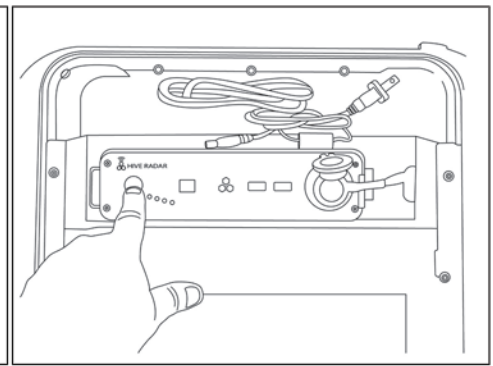


\* Access Point not included



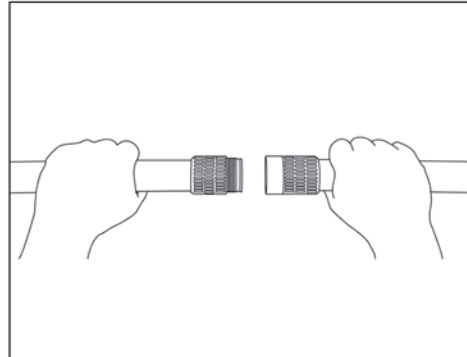
#### 1. Open the Case

Lay the HiveRadar Jr. on its side so that the latches are facing you. Squeeze the latch and lift. Lift the lid open.



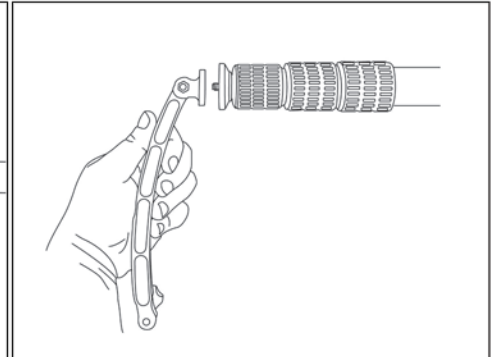
#### 2. Turn on the Power

Connect the 12V plug to the receptacle on the battery. Turn on the power by holding down the small circular power button.



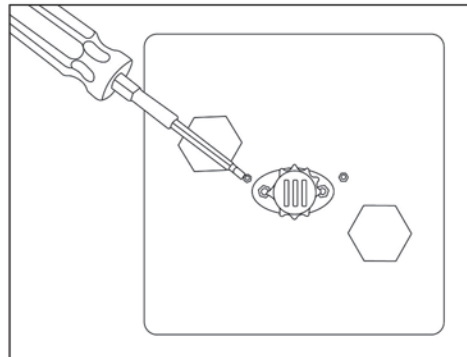
#### 3. Assemble Pole & Remove Contents

Remove the two poles from the inside of the lid. Screw the two pieces together until tightly fixed. Set aside all required parts/accessories. Close and lock the case.



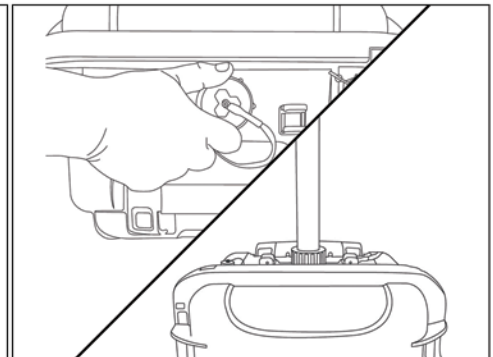
#### 4. Connect Extension Arm to the Pole

The extension arm has a pole mount adaptor attached. Twist to tighten to the pole. Ensure that you do not over tighten.



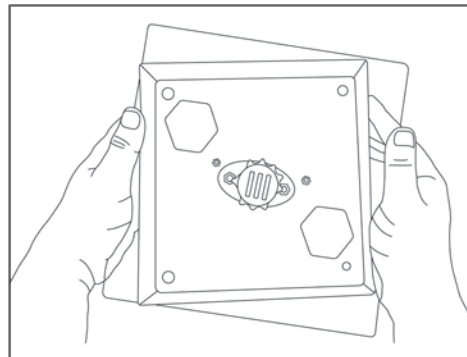
#### 5. Assemble the AP Mounting Plate

Using the provided screws, acrylic plate and AP bracket, line up the holes and carefully screw the bracket to the plate.\*\*



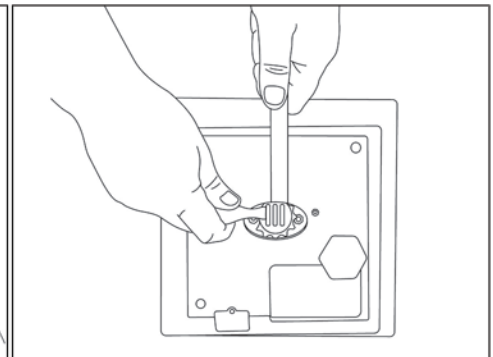
#### 6. Insert Pole

Unscrew the cap from the case and insert pole all the way. Tighten the locking mechanism.



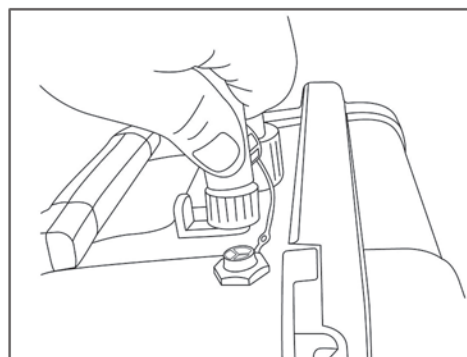
#### 7. Mount the AP

Line up the access point with AP mounting plate and twist until it locks.



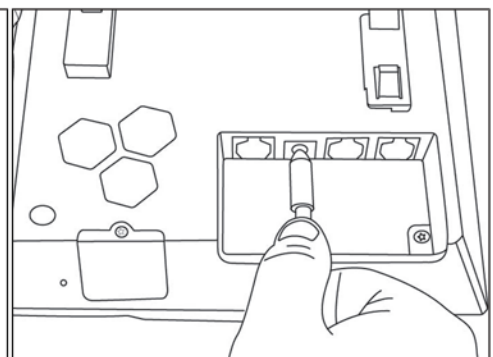
#### 8. Connect Extension Arm to AP Plate

Using the provided screw, line up the extend arm holes with the 360 mount holes and fasten tightly.



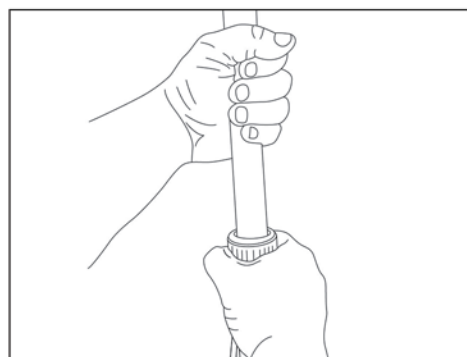
#### 9. Connect the Power Cord to the Case

Unscrew the waterproof cap from the DC connector on top of the case. Securely plug the power cord to the power connector.



#### 10. Connect Power Cord to the AP

Plug the power cord into the back of the access point.



#### 11. Extend Pole to Desired Height

Twist the quick lock mechanism and lift section of the pole to your desired height. Twist the opposite way to lock in place. Max of 9ft.

### REMINDERS

1. Keep the case on a flat surface or in a low traffic area when conducting your survey to ensure it does not tip.
2. When removing & disassembling the pole ensure that the rubber pressure ring is still attached to the pole. Line up the ring & locking mechanism with the routed spot on the acrylic plate inside the lid when storing.
3. Always unplug and turn off battery when not in use.